

PARTS LIST

CAUTION

- The parts identified by the \triangle symbol are important for the safety. Whenever replacing these parts, be sure to use specified ones to secure the safety .
- The parts not indicated in this Parts List and those which are filled with lines — in the Parts No. columns will not be supplied.
- P. W. Board Ass'y will not be supplied, but those which are filled with the Parts No. in the Parts No. columns will be supplied.

ABBREVIATIONS OF RESISTORS, CAPACITORS AND TOLERANCES

RESISTORS		CAPACITORS	
C R	Carbon Resistor	C CAP.	Ceramic Capacitor
F R	Fusible Resistor	E CAP.	Electrolytic Capacitor
P R	Plate Resistor	M CAP.	Mylar Capacitor
V R	Variable Resistor	HV CAP.	High Voltage Capacitor
HV R	High Voltage Resistor	MF CAP.	Metalized Film Capacitor
MF R	Metal Film Resistor	MM CAP.	Metalized Mylar Capacitor
MG R	Metal Glazed Resistor	MP CAP.	Metalized Polystyrol Capacitor
MP R	Metal Plate Resistor	PP CAP.	Polypropylene Capacitor
OM R	Metal Oxide Film Resistor	PS CAP.	Polystyrol Capacitor
CMF R	Coating Metal Film Resistor	TF CAP.	Thin Film Capacitor
UNF R	Non-Flammable Resistor	MPP CAP.	Metalized Polypropylene Capacitor
CH V R	Chip Variable Resistor	TAN. CAP.	Tantalum Capacitor
CH MG R	Chip Metal Glazed Resistor	CH C CAP.	Chip Ceramic Capacitor
COMP. R	Composition Resistor	BP E CAP.	Bi-Polar Electrolytic Capacitor
LPTC R	Linear Positive Temperature Coefficient Resistor	CH AL E CAP.	Chip Aluminum Electrolytic Capacitor
		CH AL BP CAP.	Chip Aluminum Bi-Polar Capacitor
		CH TAN. E CAP.	Chip Tantalum Electrolytic Capacitor
		CH AL BP E CAP.	Chip Tantalum Bi-Polar Electrolytic Capacitor

TOLERANCES									
F	G	J	K	M	N	R	H	Z	P
±1%	±2%	±5%	±10%	±20%	±30%	+30% -10%	+50% -10%	+80% -20%	+100% -0%

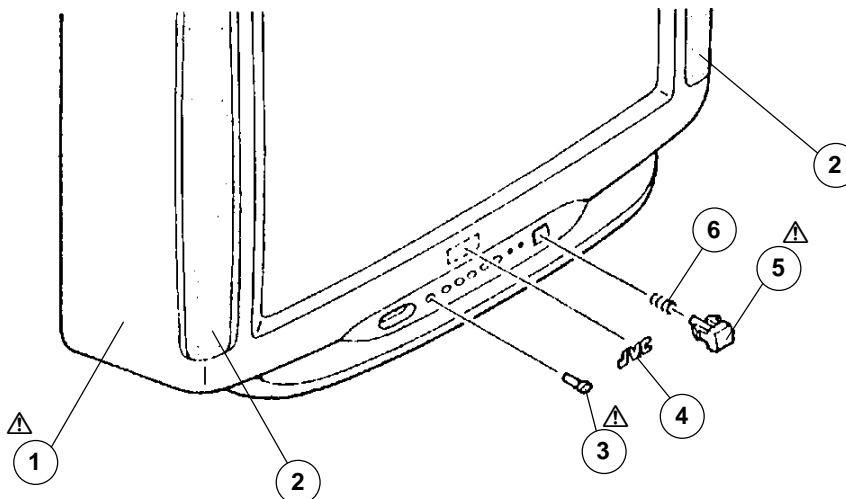
CONTENTS

- EXPLODED VIEW PARTS LIST 28
- EXPLODED VIEW 28
- PRINTED WIRING BOARD PARTS LIST
 - MAIN PW BOARD ASS'Y [SCL-1082A-CK] 30
- PACKING 34
- PACKING PARTS LIST 34
- REMOTE CONTROL UNIT PARTS LIST 34

EXPLODED VIEW PARTS LIST

△ Ref.No.	Part No.	Part Name	Description
△ 1	CM12903-00A	FRONT CABINET	
△ 2	CM12899-001-KS	PUNCHING METAL	(×2)
△ 3	CM48103-A01-H	REMOCON LENS	
△ 4	CM48147-001-H	JVC MARK	
△ 5	CM36323-001-H	POWER KNOB	
△ 6	CM35235-009-H	SPRING	
△ V01	A51QAE320X	PICTURE TUBE	
△ L01	CELD029-003J7	DEG.COIL	
△ DY01	CE20321-00A	DEF YOKE	
△ T1522	QOH0021-001	FLYBACK TRANSF.	
△ 7	A48457-4-5	SPRING	
△ 8	CHGB0021-0B-GS	BRAIDED WIRE	
△ 9	A75034-B	P.C.MAGNET	
△ 10	CE40764-00A	WEDGE ASSY	(×3)
△ 11	CM36324-A01-H	CHANNEL KNOB	
△ 12	CM48104-A01-H	L.E.D. LENS	
△ 13	QSP4D21-C05	PUSH SWITCH	S01
△ 14	CEBSS09D-02KJX	SPEAKER	(×2)SP01
△ 15	CM47005-A01-H	POWER CORD CLAMP	
△ 16	CEMP031-200E	POWER CORD	
△ 17	CM12732-D01-KH	CHASSIS BASE	
△ 18	CM12898-A01	REAR COVER	
△ 19	QYSBSBG4016Z	TAPPING SCREW	(×6)
△ 20	QYSBSF3012M	TAPPING SCREW	(×1)
△ 21	CM23116-003	RATING LABEL	

EXPLODED VIEW



PRINTED WIRING BOARD PARTS LIST

MAIN P.W. BOARD ASS'Y (SCL-1082A-CK)

△ Symbol No.	Part No.	Part Name	Description
RESISTOR			
R1001	QRE141J-102Y	C R	1kΩ 1/4W J
R1002	QRE141J-102Y	C R	1kΩ 1/4W J
R1003	QRE141J-102Y	C R	1kΩ 1/4W J
R1004	QRE141J-102Y	C R	1kΩ 1/4W J
R1101	QRE141J-473Y	C R	47kΩ 1/4W J
R1102	QRE141J-153Y	C R	15kΩ 1/4W J
R1103	QRE141J-682Y	C R	6.8kΩ 1/4W J
R1104	QRE141J-181Y	C R	180Ω 1/4W J
R1105	QRE141J-222Y	C R	2.2kΩ 1/4W J
R1106	QRE141J-122Y	C R	1.2kΩ 1/4W J
R1108	QRE141J-750Y	C R	75Ω 1/4W J
R1110	QRE141J-272Y	C R	2.7kΩ 1/4W J
R1111	QRE141J-101Y	C R	100Ω 1/4W J
R1112	QRE141J-103Y	C R	10kΩ 1/4W J
R1113-14	QRE141J-561Y	C R	560Ω 1/4W J
R1116	QRE141J-104Y	C R	100kΩ 1/4W J
R1117	QRE141J-272Y	C R	2.7kΩ 1/4W J
R1118	QRE141J-273Y	C R	27kΩ 1/4W J
R1119	QRE141J-224Y	C R	220kΩ 1/4W J
R1120	QRE141J-822Y	C R	8.2kΩ 1/4W J
R1123	QRE141J-151Y	C R	150Ω 1/4W J
R1125	QRE141J-102Y	C R	1kΩ 1/4W J
R1126	QRE141J-103Y	C R	10kΩ 1/4W J
R1127	QRE141J-221Y	C R	220Ω 1/4W J
R1128	QRE141J-681Y	C R	680Ω 1/4W J
R1129	QRE141J-181Y	C R	180Ω 1/4W J
R1130	QRE141J-102Y	C R	1kΩ 1/4W J
R1131	QRE141J-271Y	C R	270Ω 1/4W J
R1132-33	QRE141J-331Y	C R	330Ω 1/4W J
R1135	QRE141J-224Y	C R	220kΩ 1/4W J
R1203	QRE141J-224Y	C R	220kΩ 1/4W J
R1204-05	QRE141J-391Y	C R	390Ω 1/4W J
R1206	QRE141J-103Y	C R	10kΩ 1/4W J
R1208	QRE141J-681Y	C R	680Ω 1/4W J
R1209	QRE141J-821Y	C R	820Ω 1/4W J
R1210	QRE141J-122Y	C R	1.2kΩ 1/4W J
R1232	QRE141J-101Y	C R	100Ω 1/4W J
R1233	QRE121J-101Y	C R	100Ω 1/2W J
R1234	QRE141J-680Y	C R	68Ω 1/4W J
R1235	QRE141J-750Y	C R	75Ω 1/4W J
R1303	QRE141J-273Y	C R	27kΩ 1/4W J
R1304-06	QRE141J-101Y	C R	100Ω 1/4W J
R1307	QRE141J-102Y	C R	1kΩ 1/4W J
R1308	QRE141J-102Y	C R	1kΩ 1/4W J
R1309	QRE141J-102Y	C R	1kΩ 1/4W J
R1310	QRE141J-102Y	C R	1kΩ 1/4W J
R1311	QRE141J-333Y	C R	33kΩ 1/4W J
R1313	QRE141J-103Y	C R	10kΩ 1/4W J
R1314-15	QRE141J-101Y	C R	100Ω 1/4W J
R1351-53	QRE141J-151Y	C R	150Ω 1/4W J
R1354	QRL029J-123	OM R	12kΩ 2W J
R1355	QRE141J-222Y	C R	2.2kΩ 1/4W J
R1356	QRE141J-331Y	C R	330Ω 1/4W J
R1357	QRL029J-123	OM R	12kΩ 2W J
R1358	QRE141J-222Y	C R	2.2kΩ 1/4W J
R1359	QRE141J-331Y	C R	330Ω 1/4W J
R1360	QRL029J-123	OM R	12kΩ 2W J
R1361	QRE141J-222Y	C R	2.2kΩ 1/4W J
R1362	QRE141J-331Y	C R	330Ω 1/4W J
R1363	QRZ0107-152Z	C R	1.5kΩ 1/2W K
R1364	QRE141J-182Y	C R	1.8kΩ 1/4W J
R1365	QRE141J-101Y	C R	100Ω 1/4W J
R1366	QRZ0107-152Z	C R	1.5kΩ 1/2W K
R1367	QRE141J-101Y	C R	100Ω 1/4W J
R1368	QRZ0107-152Z	C R	1.5kΩ 1/2W K
R1369	QRE141J-101Y	C R	100Ω 1/4W J
R1372	QRE141J-152Y	C R	1.5kΩ 1/4W J
R1403	QRE141J-682Y	C R	6.8kΩ 1/4W J

△ Symbol No.	Part No.	Part Name	Description
RESISTOR			
R1422	QRE141J-472Y	C R	4.7kΩ 1/4W J
R1423	QRE141J-221Y	C R	220Ω 1/4W J
R1425-26	QRE141J-333Y	C R	33kΩ 1/4W J
R1427	QRE141J-103Y	C R	10kΩ 1/4W J
R1429	QRE141J-562Y	C R	5.6kΩ 1/4W J
R1430	QRE141J-103Y	C R	10kΩ 1/4W J
R1431	QRE141J-822Y	C R	8.2kΩ 1/4W J
R1432	QRE121J-4R7Y	C R	4.7Ω 1/2W J
R1433	QRE121J-4R7Y	C R	4.7Ω 1/2W J
R1440	QRE121J-331Y	C R	330Ω 1/2W J
R1441	QRE141J-682Y	C R	6.8kΩ 1/4W J
R1442	QRE141J-822Y	C R	8.2kΩ 1/4W J
R1443	QRE121J-1R0Y	C R	1.0Ω 1/2W J
R1444	QRE121J-561Y	C R	560Ω 1/2W J
R1445	QRE121J-182Y	C R	1.8kΩ 1/2W J
R1450	QRE141J-222Y	C R	2.2kΩ 1/4W J
R1451	QRE141J-103Y	C R	10kΩ 1/4W J
R1452	QRE141J-272Y	C R	2.7kΩ 1/4W J
R1453	QRE141J-122Y	C R	1.2kΩ 1/4W J
R1501	QRE141J-822Y	C R	8.2kΩ 1/4W J
R1502	QRE141J-621Y	C R	620Ω 1/4W J
R1504	QRE141J-103Y	C R	10kΩ 1/4W J
R1505	QRE141J-104Y	C R	100kΩ 1/4W J
R1506	QRG016J-121	OM R	120Ω 1W J
R1522	QRE141J-472Y	C R	4.7kΩ 1/4W J
R1523	QRE121J-222Y	C R	2.2kΩ 1/2W J
R1524-25	QRG029J-332	OM R	3.3kΩ 2W J
R1526	QRE121J-220Y	C R	22Ω 1/2W J
R1528	QRE121J-471Y	C R	470Ω 1/2W J
R1529	QRG029J-391	OM R	390 Ω 2W J
R1582	QRE141J-103Y	C R	10kΩ 1/4W J
R1583	QRE141J-123Y	C R	12kΩ 1/4W J
R1591	QRE141J-273Y	C R	27kΩ 1/4W J
R1594	QRE141J-332Y	C R	3.3kΩ 1/4W J
R1601	QRE141J-122Y	C R	1.2kΩ 1/4W J
R1602	QRE141J-332Y	C R	3.3kΩ 1/4W J
R1603	QRE141J-103Y	C R	10kΩ 1/4W J
R1604	QRE141J-222Y	C R	2.2kΩ 1/4W J
R1605	QRE141J-221Y	C R	220Ω 1/4W J
R1606	QRE141J-152Y	C R	1.5kΩ 1/4W J
R1607	QRE141J-182Y	C R	1.8kΩ 1/4W J
R1608	QRE141J-561Y	C R	560Ω 1/4W J
R1609	QRE141J-471Y	C R	470Ω 1/4W J
R1610	QRE141J-223Y	C R	22kΩ 1/4W J
R1611	QRE141J-153Y	C R	15kΩ 1/4W J
R1612	QRE141J-221Y	C R	220Ω 1/4W J
R1615	QRE141J-471Y	C R	470Ω 1/4W J
R1616	QRE141J-220Y	C R	22Ω 1/4W J
R1617	QRE141J-821Y	C R	820Ω 1/4W J
R1621	QRE141J-393Y	C R	39kΩ 1/4W J
R1622	QRE141J-103Y	C R	10kΩ 1/4W J
R1623	QRE141J-181Y	C R	180Ω 1/4W J
R1624	QRE141J-101Y	C R	100Ω 1/4W J
R1625	QRE141J-561Y	C R	560Ω 1/4W J
R1626	QRE141J-182Y	C R	1.8kΩ 1/4W J
R1627-28	QRE141J-561Y	C R	560Ω 1/4W J
R1631	QRE141J-681Y	C R	680Ω 1/4W J
R1632	QRE141J-181Y	C R	180Ω 1/4W J
R1634	QRE141J-472Y	C R	4.7kΩ 1/4W J
R1636	QRE141J-473Y	C R	47kΩ 1/4W J
R1637	QRE141J-393Y	C R	39kΩ 1/4W J
R1638	QRE141J-102Y	C R	1kΩ 1/4W J
R1653	QRE141J-183Y	C R	18kΩ 1/4W J
R1654	QRE141J-222Y	C R	2.2kΩ 1/4W J
R1655	QRE141J-822Y	C R	8.2kΩ 1/4W J
R1656	QRE141J-101Y	C R	100Ω 1/4W J
R1657	QRE141J-393Y	C R	39kΩ 1/4W J
R1658	QRE141J-103Y	C R	10kΩ 1/4W J

△ Symbol No.	Part No.	Part Name	Description
RESISTOR			
R1659	QRE141J-153Y	C R	15kΩ 1/4W J
R1660	QRE141J-331Y	C R	330Ω 1/4W J
R1661	QRE121J-4R7Y	C R	4.7Ω 1/2W J
R1662	QRE141J-102Y	C R	1kΩ 1/4W J
R1663	QRE141J-472Y	C R	4.7kΩ 1/4W J
R1664	QRX01GJ-2R7	MF R	2.7Ω 1W J
R1690	QRE141J-472Y	C R	4.7kΩ 1/4W J
R1701	QRE141J-473Y	C R	47kΩ 1/4W J
R1702	QRB089J-682	NETW. R	6.8kΩ
R1703	QRE141J-682Y	C R	6.8kΩ 1/4W J
R1704-05	QRE141J-561Y	C R	560Ω 1/4W J
R1706	QRE141J-821Y	C R	820Ω 1/4W J
R1707	QRE141J-103Y	C R	10kΩ 1/4W J
R1708	QRE141J-103Y	C R	10kΩ 1/4W J
R1709	QRE141J-223Y	C R	22kΩ 1/4W J
R1710	QRE141J-682Y	C R	6.8kΩ 1/4W J
R1711	QRE141J-103Y	C R	10kΩ 1/4W J
R1712	QRE141J-563Y	C R	56kΩ 1/4W J
R1713	QRE141J-223Y	C R	22kΩ 1/4W J
R1714	QRE141J-103Y	C R	10kΩ 1/4W J
R1719-21	QRE141J-562Y	C R	5.6kΩ 1/4W J
R1722	QRE141J-182Y	C R	1.8kΩ 1/4W J
R1724	QRE141J-682Y	C R	6.8kΩ 1/4W J
R1725	QRB089J-682	NETW. R	6.8kΩ
R1728	QRE141J-682Y	C R	6.8kΩ 1/4W J
R1731	QRE141J-392Y	C R	3.9kΩ 1/4W J
R1733-36	QRE141J-221Y	C R	220Ω 1/4W J
R1737	QRE141J-124Y	C R	120kΩ 1/4W J
R1738	QRE141J-683Y	C R	68kΩ 1/4W J
R1739	QRE141J-103Y	C R	10kΩ 1/4W J
R1740-44	QRE141J-221Y	C R	220Ω 1/4W J
R1746	QRE141J-473Y	C R	47kΩ 1/4W J
R1747-48	QRE141J-682Y	C R	6.8kΩ 1/4W J
R1751	QRE141J-103Y	C R	10kΩ 1/4W J
R1752	QRE141J-332Y	C R	3.3kΩ 1/4W J
R1753	QRE141J-682Y	C R	6.8kΩ 1/4W J
R1754	QRE141J-103Y	C R	10kΩ 1/4W J
R1755	QRE141J-332Y	C R	3.3kΩ 1/4W J
R1756	QRE141J-681Y	C R	680Ω 1/4W J
R1757	QRE141J-681Y	C R	680Ω 1/4W J
△ R1901	QRF104K-3R9	UNF R	3.9Ω 10W K
R1902	QRL039J-683	OM R	68kΩ 3W J
R1921	QRE121J-681Y	C R	680Ω 1/2W J
R1922	QRX029J-1R5	MF R	1.5Ω 2W J
R1923	QRM059J-R27	MP R	0.27Ω 5W J
R1924	QRE121J-103Y	C R	10kΩ 1/2W J
R1925	QRE121J-102Y	C R	1kΩ 1/2W J
R1926	QRE121J-272Y	C R	2.7kΩ 1/2W J
R1927	QRE121J-103Y	C R	10kΩ 1/2W J
R1928	QRG029J-473	OM R	47kΩ 2W J
R1929	QRE121J-332Y	C R	3.3kΩ 1/2W J
R1932	QRE121J-824Y	C R	820kΩ 1/2W J
△ R1933	QRZ9017-3R3	F R	3.3Ω 1/4W J
R1934	QRE121J-393Y	C R	39kΩ 1/2W J
R1935	QRE121J-272Y	C R	2.7kΩ 1/2W J
R1941	QRE121J-152Y	C R	1.5kΩ 1/2W J
R1943	QRE141J-472Y	C R	4.7kΩ 1/4W J
R1944	QRE121J-332Y	C R	3.3kΩ 1/2W J
R1946	QRE141J-153Y	C R	15kΩ 1/4W J
R1970	QRG016J-150	OM R	15Ω 1W J
R1971	QRE121J-223Y	C R	22kΩ 1/2W J
R1972	QRE121J-152Y	C R	1.5kΩ 1/2W J
R1973	QRL029J-270	OM R	27Ω 2W J
R1974	QRE141J-222Y	C R	2.2kΩ 1/4W J
R1975	QRE141J-123Y	C R	12kΩ 1/4W J
R1976	QRJ146J-680X	C R	68Ω 1/4W J
R1977	QRG029J-183	OM R	18kΩ 2W J
R1979	QRL029J-270	OM R	27Ω 2W J
R1980	QRE141J-821Y	C R	820Ω 1/4W J
R1981	QRE141J-222Y	C R	2.2kΩ 1/4W J

△ Symbol No.	Part No.	Part Name	Description
RESISTOR			
R1982	QRE141J-822Y	C R	8.2kΩ 1/4W J
R1983	QRE141J-102Y	C R	1kΩ 1/4W J
R1984	QRE141J-822Y	C R	8.2kΩ 1/4W J
△ R1991	QRZ0057-825	C R	8.2MΩ 1W J
CAPACITOR			
C1001	QETN1HM-475Z	E CAP.	4.7μF 50V M
C1002	QETN1CM-108Z	E CAP.	1000μF 16V M
C1003	QETC1HM-106Z	E CAP.	10μF 50V M
C1004	QETN1CM-107Z	E CAP.	100μF 16V M
C1005-07	QCB31HK-103Z	C CAP.	0.01μF 50V K
C1015	QCB31HK-222Z	C CAP.	2200pF 50V K
C1016	QFLC1HJ-103Z	M CAP.	0.01μF 50V J
C1101-07	QCB31HK-472Z	C CAP.	4700pF 50V K
C1108	QCB31HK-103Z	C CAP.	0.01μF 50V K
C1110-11	QCB31HK-103Z	C CAP.	0.01μF 50V K
C1112	QFLC1HJ-104Z	M CAP.	0.1μF 50V J
C1113	QCB31HK-103Z	C CAP.	0.01μF 50V K
C1114	QETN1HM-474Z	E CAP.	0.47μF 50V M
C1116	QETN1HM-474Z	E CAP.	0.47μF 50V M
C1118	QCB31HK-103Z	C CAP.	0.01μF 50V K
C1119-20	QETN1CM-476Z	E CAP.	47μF 16V M
C1121	QCB31HK-103Z	C CAP.	0.01μF 50V K
C1122	QETN1CM-476Z	E CAP.	47μF 16V M
C1123	QCB31HK-103Z	C CAP.	0.01μF 50V K
C1124	QETN1CM-476Z	E CAP.	47μF 16V M
C1135	QCB31HK-103Z	C CAP.	0.01μF 50V K
C1136	QFLC1HJ-103Z	M CAP.	0.01μF 50V J
C1201	QETN1CM-107Z	E CAP.	100μF 16V M
C1202	QFLC1HJ-104Z	M CAP.	0.1μF 50V J
C1203	QFV71HJ-684Z	MF CAP.	0.68μF 50V J
C1204	QFLC1HJ-104Z	M CAP.	0.1μF 50V J
C1205	QETN1HM-475Z	E CAP.	4.7μF 50V M
C1206	QCB31HK-103Z	C CAP.	0.01μF 50V K
C1207	QETN1CM-107Z	E CAP.	100μF 16V M
C1208	QETC1HM-106Z	E CAP.	10μF 50V M
C1209	QCB31HK-103Z	C CAP.	0.01μF 50V K
C1210	QETC1HM-106Z	E CAP.	10μF 50V M
C1212	QETC1HM-106Z	E CAP.	10μF 50V M
C1213	QENC1EM-106Z	BP E CAP.	10μF 25V M
C1231	QETN1CM-227Z	E CAP.	220μF 16V M
C1232	QETN1CM-477Z	E CAP.	470μF 16V M
C1253	QETC1HM-106Z	E CAP.	10μF 50V M
C1301	QFLC1HJ-823Z	M CAP.	0.082μF 50V J
C1302	QCB31HK-103Z	C CAP.	0.01μF 50V K
C1303	QDC31HJ-120Z	C CAP.	12pF 50V J
C1304-06	QFLC1HJ-104Z	M CAP.	0.1μF 50V J
C1307	QETN1HM-225Z	E CAP.	2.2μF 50V M
C1308	QCB31HK-103Z	C CAP.	0.01μF 50V K
C1309	QETN1HM-475Z	E CAP.	4.7μF 50V M
C1310	QCB31HK-103Z	C CAP.	0.01μF 50V K
C1311	QETN1AM-107Z	E CAP.	100μF 10V M
C1312	QETN1CM-227Z	E CAP.	220μF 16V M
C1313	QETC1HM-106Z	E CAP.	10μF 50V M
C1316	QCS31HJ-101Z	C CAP.	100pF 50V J
C1320	QCS31HJ-101Z	C CAP.	100pF 50V J
C1351	QETN1AM-477Z	E CAP.	470μF 10V M
C1353	QCB31HK-331Z	C CAP.	330pF 50V K
C1355	QCB31HK-331Z	C CAP.	330pF 50V K
C1357	QCB31HK-391Z	C CAP.	390pF 50V K
C1359	QFZ0097-103	MM CAP.	0.01μF 1250V K
C1360	QFLC1HJ-103Z	M CAP.	0.01μF 50V J
C1402	QEM61HK-225Z	E CAP.	2.2μF 50V K
C1405	QETN1HM-105Z	E CAP.	1μF 50V M
C1422	QFLC1HJ-182Z	M CAP.	1800pF 50V J
C1423	QFLC2AJ-473Z	M CAP.	0.047μF 100V J
C1427-28	QETN1VM-107Z	E CAP.	100μF 35V M
C1430	QFLC2AJ-103Z	M CAP.	0.01μF 100V J
C1433	QETN1HM-475Z	E CAP.	4.7μF 50V M
C1435	QETN1EM-108Z	E CAP.	1000μF 25V M

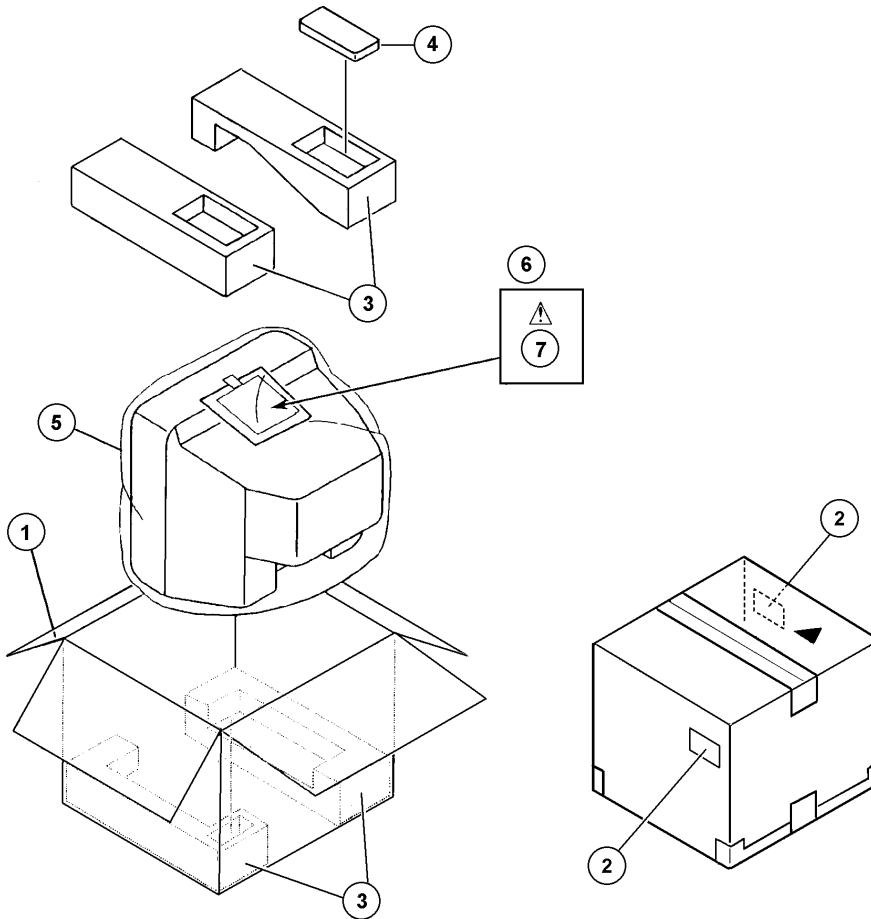
△ Symbol No.	Part No.	Part Name	Description
CAPACITOR			
C1436	QFV71HJ-334Z	MF CAP.	0.33μF 50V J
C1437	QFLC1HJ-102Z	M CAP.	1000pF 50V J
C1450	QETN1CM-107Z	E CAP.	100μF 16V M
C1501	QCB31HK-103Z	C CAP.	0.01μF 50V K
C1502	QETN1HM-105Z	E CAP.	1μF 50V M
C1503	QETN1AM-108Z	E CAP.	1000μF 10V M
C1504-06	QCB31HK-103Z	C CAP.	0.01μF 50V K
C1507	QFLC1HJ-103Z	M CAP.	0.01μF 50V J
C1508	QETN1CM-476Z	E CAP.	47μF 16V M
C1509-10	QCB31HK-103Z	C CAP.	0.01μF 50V K
C1521	QCB32HK-151Z	C CAP.	150pF 500V K
C1522	QCB32HK-102Z	C CAP.	1000pF 500V K
C1523	QEHR2CM-105Z	E CAP.	1μF 160V M
△ C1524	QFZ0117-114Z	MPP CAP.	11400pF1.4KVH±2.5%
△ C1527	QFZ0119-514	MPP CAP.	0.51μF 200V ±3%
C1530	QCB32HK-561Z	C CAP.	560pF 500V K
C1552	QETM1VM-108	E CAP.	1000μF 35V M
C1557	QETN2EM-225Z	E CAP.	2.2μF 250V M
C1571	QEHQ2CM-476	E CAP.	47μF 160V M
C1581	QFLC1HJ-104Z	M CAP.	0.1μF 50V J
C1591	QETN1AM-227Z	E CAP.	220μF 10V M
C1601	QETC1HM-106Z	E CAP.	10μF 50V M
C1602	QFLC1HJ-333Z	M CAP.	0.033μF 50V J
C1603	QCS31HJ-470Z	C CAP.	47pF 50V J
C1604	QDC31HJ-470Z	C CAP.	47pF 50V J
C1606	QCB31HK-103Z	C CAP.	0.01μF 50V K
C1607	QETN1CM-107Z	E CAP.	100μF 16V M
C1608-12	QCB31HK-103Z	C CAP.	0.01μF 50V K
C1631-32	QETN1HM-106Z	E CAP.	10μF 50V M
C1651	QETN1CM-107Z	E CAP.	100μF 16V M
C1652	QFLC1HJ-102Z	M CAP.	1000pF 50V J
C1653	QENC1HM-105Z	BP E CAP.	1μF 50V M
C1656	QETN1HM-225Z	E CAP.	2.2μF 50V M
C1657	QETN1CM-227Z	E CAP.	220μF 16V M
C1659	QFLC1HJ-473Z	M CAP.	0.047μF 50V J
C1661	QETN1HM-226Z	E CAP.	22μF 50V M
C1662	QETN1HM-475Z	E CAP.	4.7μF 50V M
C1663	QETN1EM-108Z	E CAP.	1000μF 25V M
C1690	QFLC1HJ-103Z	M CAP.	0.01μF 50V J
C1701	QETN1CM-107Z	E CAP.	100μF 16V M
C1702	QFLC1HJ-104Z	M CAP.	0.1μF 50V J
C1703	QETN1CM-476Z	E CAP.	47μF 16V M
C1704	QFLC1HJ-102Z	M CAP.	1000pF 50V J
C1705	QETN1AM-107Z	E CAP.	100μF 10V M
C1707	QFLC1HJ-272Z	M CAP.	2700pF 50V J
C1708	QFLC1HJ-222Z	M CAP.	2200pF 50V J
C1709	QCS31HJ-560Z	C CAP.	56pF 50V J
C1710	QCB31HK-103Z	C CAP.	0.01μF 50V K
C1711	QFLC1HJ-104Z	M CAP.	0.1μF 50V J
C1712	QETC1HM-106Z	E CAP.	10μF 50V M
C1713	QCS31HJ-181Z	C CAP.	180pF 50V J
C1714	QFLC1HJ-103Z	M CAP.	0.01μF 50V J
C1715	QFLC1HJ-473Z	M CAP.	0.047μF 50V J
C1721	QETN1HM-106Z	E CAP.	10μF 50V M
C1723-27	QCS31HJ-181Z	C CAP.	180pF 50V J
C1728-30	QFLC1HJ-103Z	M CAP.	0.01μF 50V J
△ C1751	QETN1CM-476Z	E CAP.	47μF 16V M
△ C1902	QFZ9040-104	MF CAP.	0.1μF AC275V M
△ C1904	QCZ9078-102	C CAP.	1000pFAC250V M
△ C1905	QCZ9078-102	C CAP.	1000pFAC250V M
△ C1906	QCZ9078-102	C CAP.	1000pFAC250V M
△ C1907	QCZ9078-102	C CAP.	1000pFAC250V M
△ C1909	QEZ0199-127	E CAP.	120μF 400V M
△ C1910	QFZ9040-473	MF CAP.	0.047μFAC275V M
C1921	QCZ0325-102	C CAP.	1000pF 2kV K
C1922	QFLC1HJ-102Z	M CAP.	1000pF 50V J
C1924	QETN1EM-107Z	E CAP.	100μF 25V M
C1925	QFLC1HJ-102Z	M CAP.	1000pF 50V J
C1926	QFLC1HJ-222Z	M CAP.	2200pF 50V J
C1929	QCB32HK-103	C CAP.	0.01μF 500V K
C1930	QCZ0122-151	C CAP.	150pF 2kV K
C1931	QCZ0122-271	C CAP.	150pF 2kV K

△ Symbol No.	Part No.	Part Name	Description
CAPACITOR			
C1941	QCZ0122-561	C CAP.	270pF 2kV K
△ C1942	QEZ0203-107	E CAP.	560μF 160V M
C1945	QETN1CM-108Z	E CAP.	1000μF 16V M
C1947	QCB32HK-561Z	C CAP.	560pF 500V K
C1948	QETN1EM-477Z	E CAP.	470μF 25V M
C1949	QCB31HK-222Z	C CAP.	2200pF 50V K
C1950	QFLC1HJ-104Z	M CAP.	0.1μF 50V J
C1971	QETC1HM-106Z	E CAP.	10μF 50V M
C1972	QETN1EM-477Z	E CAP.	470μF 25V M
C1974	QETN1EM-108	E CAP.	1000μF 25V M
C1975	QETN1EM-107Z	E CAP.	100μF 25V M
C1976-77	QETN1CM-107Z	E CAP.	100μF 16V M
C1978	QETN1AM-107Z	E CAP.	100μF 10V M
△ C1991	QCZ9079-471	C CAP.	470pFAC250V K
△ C1992	QCZ9079-471	C CAP.	470pFAC250V K
△ C1993	QCZ9079-222	C CAP.	220pFAC250V M
TRANSFORMER			
T1101	CELT001-303	C.WAVE TRANSF.	
T1521	CE42034-001	H.DRIVE TRANSF.	
△ T1522	QHQ0021-001	FLYBACK TRANSF.	
△ T1921	CETS093-001JF	SWITCH. TRANSF.	
COIL			
L1001	QQL244K-8R2Z	COIL	8.2μH K
L1104	QQL244K-150Z	COIL	15μH K
L1105	QQL244K-8R2Z	COIL	8.2μH K
L1106	QQL244K-100Z	COIL	10μH K
L1301-02	QQL244K-470Z	COIL	47μH K
L1303	QQL244K-4R7Z	COIL	4.7μH K
L1351-53	QQL244K-820Z	COIL	82μH K
L1522	CE41210-00B	LINEARITY COIL	
L1551	QQLZ018-540	HEATER CHOKE	
L1601	QQL244K-120Z	COIL	12μH K
L1701	QQL244K-5R6Z	COIL	5.6μH K
L1941-42	QQL42AK-820Z	COIL	82μH K
DIODE			
D1001	MTZJ33A-T2	ZENER DIODE	
D1101-02	MA856-T2	DIODE	
D1104	1SS133-T2	SI. DIODE	
D1203	1SS133-T2	SI. DIODE	
D1231-32	MTZJ13B-T2	ZENER DIODE	
D1421	1SS133-T2	SI. DIODE	
D1423	1SR124-400A-T2	SI. DIODE	
D1425	1SS133-T2	SI. DIODE	
D1501	MTZJ9.1B-T2	ZENER DIODE	
D1502	MTZJ5.1B-T2	ZENER DIODE	
D1551	RGP10J(C1)	SI. DIODE	
D1553	RH15-LFA1	SI. DIODE	
D1582	RGP10J-5025-T3	SI. DIODE	
D1601	MTZJ6.8A-T2	ZENER DIODE	
D1602	MTZJ6.2B-T2	ZENER DIODE	
D1631	MTZJ6.2B-T2	ZENER DIODE	
D1633	MTZJ9.1C-T2	ZENER DIODE	
D1637	MTZJ10C-T2	ZENER DIODE	
D1652	1SS133-T2	SI. DIODE	
D1701	1SS133-T2	SI. DIODE	
D1702	1SS133-T2	SI. DIODE	
D1703	1SS133-T2	SI. DIODE	
D1705	1SS133-T2	SI. DIODE	
D1706-09	MTZJ8.2B-T2	ZENER DIODE	
D1739	MTZJ8.2B-T2	ZENER DIODE	
D1751	SLR-342VR-T16	L. E. D.	
D1752	SLR-342DU-T16	L. E. D. (ORG)	
△ D1901	D2SBA60	BRIDGE DIODE	
D1921-22	1SR124-400A-T2	SI. DIODE	
D1923	MTZJ15A-T2	ZENER DIODE	
D1924	1SR124-400A-T2	SI. DIODE	
D1926	RU1C-LFC4	SI. DIODE	
D1927	MTZJ6.8A-T2	ZENER DIODE	

Symbol No.	Part No.	Part Name	Description
DIODE			
D1928	1SS133-T2	SI. DIODE	
D1929	MTZJ15A-T2	ZENER DIODE	
D1941	RU3AM-LFC4	SI. DIODE	
D1942	RU3YX-LFC4	SI. DIODE	
D1943	RGPI0J(C1)	SI. DIODE	
D1945	MTZJ6.2B-T2	ZENER DIODE	
D1971	1SR124-400A-T2	SI. DIODE	
D1981	1SS133-T2	SI. DIODE	
D1982	1SS133-T2	SI. DIODE	
D1983	1SS133-T2	SI. DIODE	
D1984	1SS133-T2	SI. DIODE	
D1985	MTZJ12C-T2	ZENER DIODE	
TRANSISTOR			
Q1101	2SC5083/L-P/-T	SI. TRANSISTOR	
Q1102	DTC124ESA-T	DIGI. TRANSISTOR	
Q1103	2SC1740S/QR/-T	SI. TRANSISTOR	
Q1104	2SA933AS/QR/-T	SI. TRANSISTOR	
Q1105-06	DTC124ESA-T	DIGI. TRANSISTOR	
Q1107	2SC1740S/QR/-T	SI. TRANSISTOR	
Q1108-09	2SA933AS/QR/-T	SI. TRANSISTOR	
Q1110-11	DTC124ESA-T	DIGI. TRANSISTOR	
Q1202	2SA933AS/QR/-T	SI. TRANSISTOR	
Q1231	2SC1740S/QR/-T	SI. TRANSISTOR	
Q1351-53	2SC2371/MLK/	SI. TRANSISTOR	
Q1422-24	2SC1740S/QR/-T	SI. TRANSISTOR	
Q1425	2SA933AS/QR/-T	SI. TRANSISTOR	
Q1521	BSN304-T	F. E. T.	
Q1522	2SD1878-YD	SI. TRANSISTOR	
Q1523	2SC1815/YG/-T	SI. TRANSISTOR	
Q1601-02	2SC1740S/QR/-T	SI. TRANSISTOR	
Q1603	DTC124ESA-T	DIGI. TRANSISTOR	
Q1604	2SC1740S/QR/-T	SI. TRANSISTOR	
Q1605	DTC124ESA-T	DIGI. TRANSISTOR	
Q1608	2SC1740S/QR/-T	SI. TRANSISTOR	
Q1631	2SC1740S/QR/-T	SI. TRANSISTOR	
Q1651	2SC1740S/QR/-T	SI. TRANSISTOR	
Q1701	2SA933AS/QR/-T	SI. TRANSISTOR	
Q1702-03	2SC1740S/QR/-T	SI. TRANSISTOR	
Q1751	DTA124ESA-T	DIGI. TRANSISTOR	
Q1921	2SA933AS/QR/-T	SI. TRANSISTOR	
Q1941	2SC1740S/QR/-T	SI. TRANSISTOR	
Q1942	DTC144GSA-T	DIGI. TRANSISTOR	
Q1971	2SA966/OY/-T	SI. TRANSISTOR	
Q1972	DTC144GSA-T	DIGI. TRANSISTOR	
Q1981	2SA933AS/QR/-T	SI. TRANSISTOR	
IC			
IC1101	MS2342SP	I. C. (MONO-ANA)	
IC1201	TB1226EN	I. C. (DIGI-OTHER)	
IC1421	LA7840	I. C. (MONO-ANA)	
IC1651	AN5265	I. C. (MONO-ANA)	
IC1701	M37212M6-116SP	I. C. (MICRO-COMP)	
IC1702	AT24C08G2171EG	I. C.	(SERVICE)
IC1703	L78LR05E-MA	I. C. (MONO-ANA)	
IC1751	PIC-28043SR	IFR DETECT UNIT	
IC1921	STR-F6653	I. C. (HYBRID)	
IC1941	S1854A	I. C. (MONO-ANA)	
IC1971	BA17812T	I. C. (MONO-ANA)	
IC1972	BA17809T	I. C. (MONO-ANA)	
IC1973	BA17805T	I. C. (MONO-ANA)	
OTHERS			
CF1103	CM35833-A01-H	L. E. D. HOLDER	
CF1104	QAX0339-001	CERAMIC FILTER	
CF1105	TP55.5MW	CERAMIC FILTER	
CF1106	TP56.5MB	CERAMIC FILTER	
CF1106	TPSH6.0MB	CERAMIC FILTER	
CF1601	SFSH4.5NCB	CERAMIC FILTER	
CF1604	QAX0336-001	CERAMIC FILTER	
CF1606	QAX0337-001	CERAMIC FILTER	
CF1608	QAX0338-001	CERAMIC FILTER	

Symbol No.	Part No.	Part Name	Description
OTHERS			
CP1942	ICP-N75-Y	I. C. PROTECT	
CP1943	ICP-N38-Y	I. C. PROTECT	
CP1944	ICP-N5-Y	I. C. PROTECT	
EF1201	CE42142-222Z	EMI FILTER	
F1901	QMF51E2-3R15J4	FUSE	3.15A
FC1901	CEMG002-001Z	FUSE CLIP	
FR1551	QRZ9017-4R7	F R	4.7 Ω 1/4W J
FR1552	QRX029J-R47	MF R	0.47 Ω 2W J
FR1554	QRG01GJ-150	OM R	15Ω 1W J
J1001	QNN0384-001	PIN JACK	
J1002	CEMN065-001	PIN JACK	
J1003-04	CEMN065-002	PIN JACK	
K1001	CE41433-001	BEADS CORE	
K1201	CE41433-001	BEADS CORE	
K1301	CE41433-001	BEADS CORE	
K1422	CE41433-001	BEADS CORE	
K1701	CE41433-001	BEADS CORE	
K1702	CE41433-001	BEADS CORE	
K1703	CE41433-001	BEADS CORE	
K1704	CE41433-001	BEADS CORE	
K1705	CE41433-001	BEADS CORE	
K1706	CE41433-001	BEADS CORE	
K1707	CE41433-001	BEADS CORE	
K1708	CE41433-001	BEADS CORE	
K1921	CE41433-001	BEADS CORE	
K1923	CE42050-001	CORE	
K1941-43	CE42050-001	CORE	
LF1902	QQR0527-002	LINE FILTER	
PC1921	TLP721F(D4-GR)	I. C. (PH. COUPLER)	
S1401	QSL6A13-C01	LEVER SWITCH	V. CENT.
S1751	QSW0619-003Z	PUSH SWITCH	CH PRESET
S1752	QSW0619-003Z	PUSH SWITCH	CH-
S1753	QSW0619-003Z	PUSH SWITCH	CH+
S1754	QSW0619-003Z	PUSH SWITCH	VOL-
S1755	QSW0619-003Z	PUSH SWITCH	VOL+
SF1101	QAX0323-001	SAW FILTER	
SF1102	QAX0325-001	SAW FILTER	
SK1351	CE42446-001	C. R. T. SOCKET	
TH1901	CEKP010-001J2	W. P. THERMISTOR	
TU1001	CEEU544-B03	VHF/UHF TUNER	
VA1901	ERZV10V621CS	VARIATOR	
X1301	QAX0354-001	CRYSTAL	
X1701	CST8.00MTW	CER. RESONATOR	

PACKING



PACKING PARTS LIST

△ Ref.No.	Part No.	Part Name	Description
1	CP11505-006	PACKING CASE	
2	CM48153-006	SERIAL LABEL	(×2)
3	CP11598-00A	CUSHION ASSY	4pcs in 1set
4	RM-C565-1H	REMOCON UNIT	
5	CP30924-002	POLY BAG	
6	QPA02504005	POLY.BAG	
△ 7	LCT1014-001A	INST BOOK	

REMOTE CONTROL UNIT PARTS LIST (RM-C565-1H)

△ Ref.No.	Part No.	Part Name	Description
--	UR64EC1822A	BATTERY COVER	

Memo
